

Assembly Instructions LS 5000 ESW

Assembling the individual components

Delivery, packaging, assembly



ATTENTION!

Squeezing hazard during assembly

Parts of the body may be squeezed when components are assembled.

- ✓ Wear close-fitting clothing and protection gloves during assembly.

Important!

Before switching on for the first time, the batteries must be charged.

Risk of high dead weight

- The machine must not be lifted manually.
- Remove mounting parts separately from packaging.
- Release the machine's parking brake, switch over the manual gear connection
- Pull the machine off the transporter by its handles.

Delivery and assembly

- Check the machine for completeness and potential damage upon delivery.
- The machine shall be supplied to the specialist dealer in a partially assembled condition.
- Assembly and start-up have to be performed by a specialist dealer and/or an expert in this field.

Packaging

- Please dispose of packaging materials separately.



Overview

- 1 Charger
- 2 Support plates for blower outlet
- 3 Wrench
- 4 Cable ties
- 5 Round-head screws, nuts and washers for blower outlet
- 6 Ignition keys
- 7 Extraction bolt for fan rotor
- 8 Charging cable for charger

LS 5000 ESW

I

1. For grounding of the control bar, the toothed lock washers on the left-hand side of the guide rail must be left on the welded bolts.



2. Then, push the guide rail on both sides of the motor bracket over the welded bolts.
3. Secure the guide rail with the inserted spacer tube to the motor bracket.
4. Remove the preinstalled bolted connection and screw the cross struts to the guide rail on both sides (pictures, right 2+3).



Left-hand side with toothed lock washers

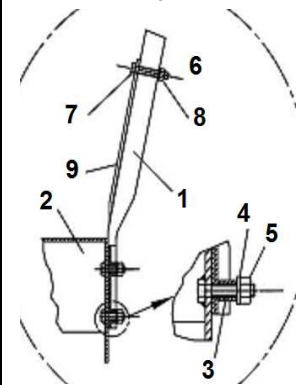


Left-hand side cross strut



Right-hand side cross strut and guide rail

Detail drawing

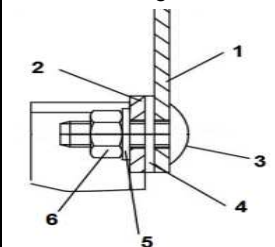


1. Guide rail
2. Motor bracket
3. Spacer tube
4. Washer 8.4
5. Locking nut M8
6. Cross strut
7. Vertical bolt M8x45
8. Washer 8.4
9. Support strut

5. To assemble the height adjustment components, remove the preinstalled bolted connection.
6. Hold together the connection points of the adjusting rod and wheel frame.
7. Push the bolt through the adjusting rod from the outside
8. Insert the plastic disc between the two rods
9. Secure bolt using the nut.



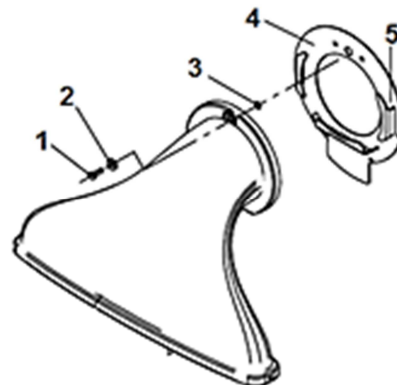
Detail drawing



1. Adjusting rod
2. Wheel frame retainer
3. Round-head screw M8x20
4. Plastic disc
5. Washer 8.4
6. Nut M8

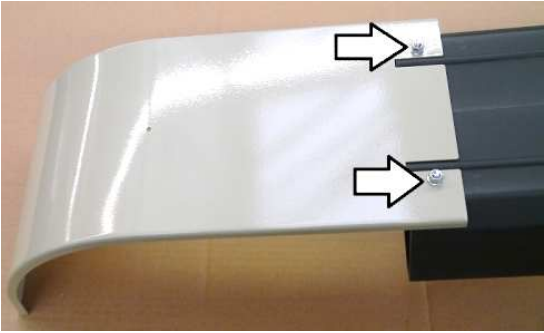
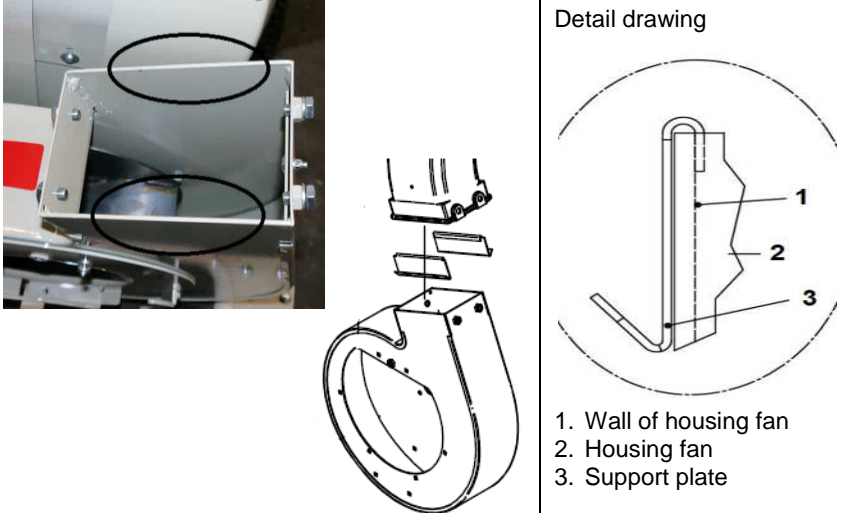



II


1. Push the flange on the vacuum nozzle between the side brackets to the lower angle bracket.
2. The nib on the flange must fit into the opening of the angle bracket.
3. Secure the vacuum nozzle with the pre-assembled bolt.



Detail drawing

1. Hexagon bolt
2. Washer
3. Locking washer
4. Fan cover
5. Angle bracket

<p>III</p>	<ol style="list-style-type: none"> 1. Attach the guide plate to the blower outlet. 2. Attach the guide plate and fasten with a round-head screw, washer and nut. 	
	<ol style="list-style-type: none"> 1. Release the bolted connections at the opening in the housing fan. 2. Hook the support plates into the opening in the housing fan. 3. Insert the blower outlet with the completely assembled guide plate into the opening in the housing fan. 4. Secure the components using the detached bolts. 	 <p>Detail drawing</p> <ol style="list-style-type: none"> 1. Wall of housing fan 2. Housing fan 3. Support plate
<p>IV</p>	<ol style="list-style-type: none"> 1. Route the Bowden cables along the steering bar as shown in the picture. 	 <p>Routing the Bowden cables</p>
	<ol style="list-style-type: none"> 1. Connect the cable from the operating panel to the machine's cable connector.  <ol style="list-style-type: none"> 2. Then secure all cables (operating panel and Bowden cable) to the steering bar using the cable ties (picture). 	

<p>V</p>	<ol style="list-style-type: none"> 1. Attach the 4 straps of the collection bag to the guide rail. 2. Pull the connecting part of the collection bag over the blower outlet. 3. Secure the connecting part using the tensioning strap. 		 
----------	---	--	--

Start up (first machine inspection)

Assembly and start-up shall be performed by your authorised Cramer dealer.

Safety

Before start-up, you must have read and understood the operation manual and be familiar with the machine's functions.

Start-up and functional test

Before switching on, please check that all safety devices are installed and the batteries are fully charged. Only then shall the following functional test be performed: After an operating duration of approx. one hour, it should be checked that all fastening bolts are still secure.

Functional test / starting the machine

1. Park machine safely on an even surface and apply parking brake
2. Attach protective devices
3. Switch on the machine



DANGER !

Risk of injury by inappropriately performed assembly work!

Defective work may result in serious bodily injuries and damage to property.

- ✓ Make sure that you have sufficient working space.
- ✓ When working on the machine
- ✓ Place components separately.
- ✓ Assemble all components
- ✓ Attach all safety covers
- ✓ Keep the risk area clear of persons.